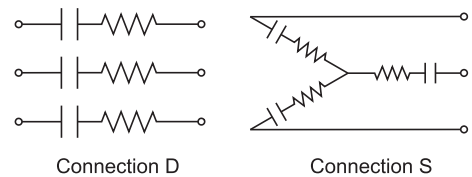


R3

Threephase RC unit (Star or 3 x RC groups configuration)



Connection D

Connection S

Main applications

Elimination of sparks and transient phenomena in switching circuits, radio interference suppression

Mounting

RC units can be mounted in parallel with the contacts to be protected or in parallel with the inductive load

Coating

Solvent resistant parallelepipedal plastic case (UL 94 V-1 minimum) with flame retardant resin sealing (UL 94 V-0). Flame retardant execution

Construction

The capacitors and the resistor are connected in series: 3 x separated RC groups configuration (connection D) or star configuration (connection S)

Terminals

Stranded insulated copper leads cables (M) or stranded insulated copper leads cables with forked spade terminals (F)

Reference standard

IEC60068, RoHS compliant

Climatic category

25/85/56 (IEC 60068/1), HPF (DIN 40040)

Operating temperature range

-25°...+85°C

Rated capacitance (Cr)

0,22µF. Other values available upon request

Capacitance tolerance (at 1kHz)

±10% (code=K), ±20% (code=M). Other tolerances upon request

Rated resistance (Rr)

220Ω 2W; other values available upon request

Network power rating

4kW, other values available upon request

Rated AC voltage 50÷60Hz

3 x 575V 50÷60Hz (sinusoidal) for connection S

3 x 380V 50÷60Hz (sinusoidal) for connection D

Insulation resistance (IR)

IR ≥ 10000s

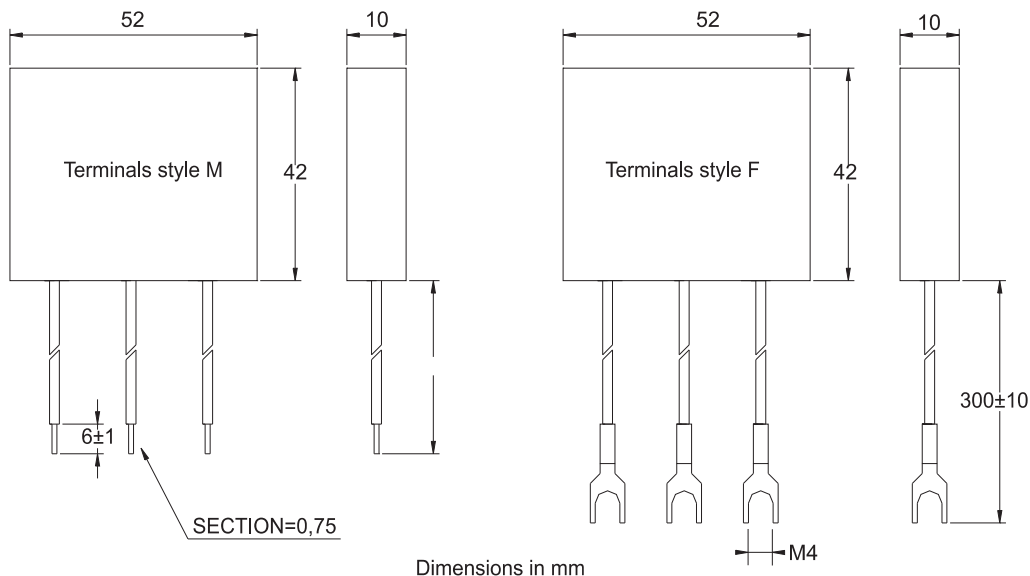
Test voltage between terminals (Ut)

1,6 xUr (DC) applied for 2s at 25±5°C

Test voltage between terminals and case (Utc)

5kV 50÷60Hz applied for 2 sec. at 25±5°C

NOTE: "connection D" execution is with 6 cables either with style M or with style F



Dimensions in mm

R3 article table

Ur Vac	C+R (µF + Ω)	Case size (B x H x L) (mm)	Connection / Leads	ICEL ordering code ⁽¹⁾
3 x 380	0,22 + 220	10 x 42 x 52	D / 6 x Cables	R33220D*C122M&
3 x 380	0,22 + 220	10 x 42 x 52	D / 6 x Cables with forked spade terminals	R33220D*C122F&
3 x 575	0,22 + 220	10 x 42 x 52	D / 6 x Cables	R33220S*C122M&
3 x 575	0,22 + 220	10 x 42 x 52	D / 6 x Cables with forked spade terminals	R33220S*C122F&

⁽¹⁾Change the * symbol with the needed capacitance tolerance code: K=±10%, M=±20%

& = free character for possible additional information

Warning: this specification must be completed with the data given in the "General technical information" chapter